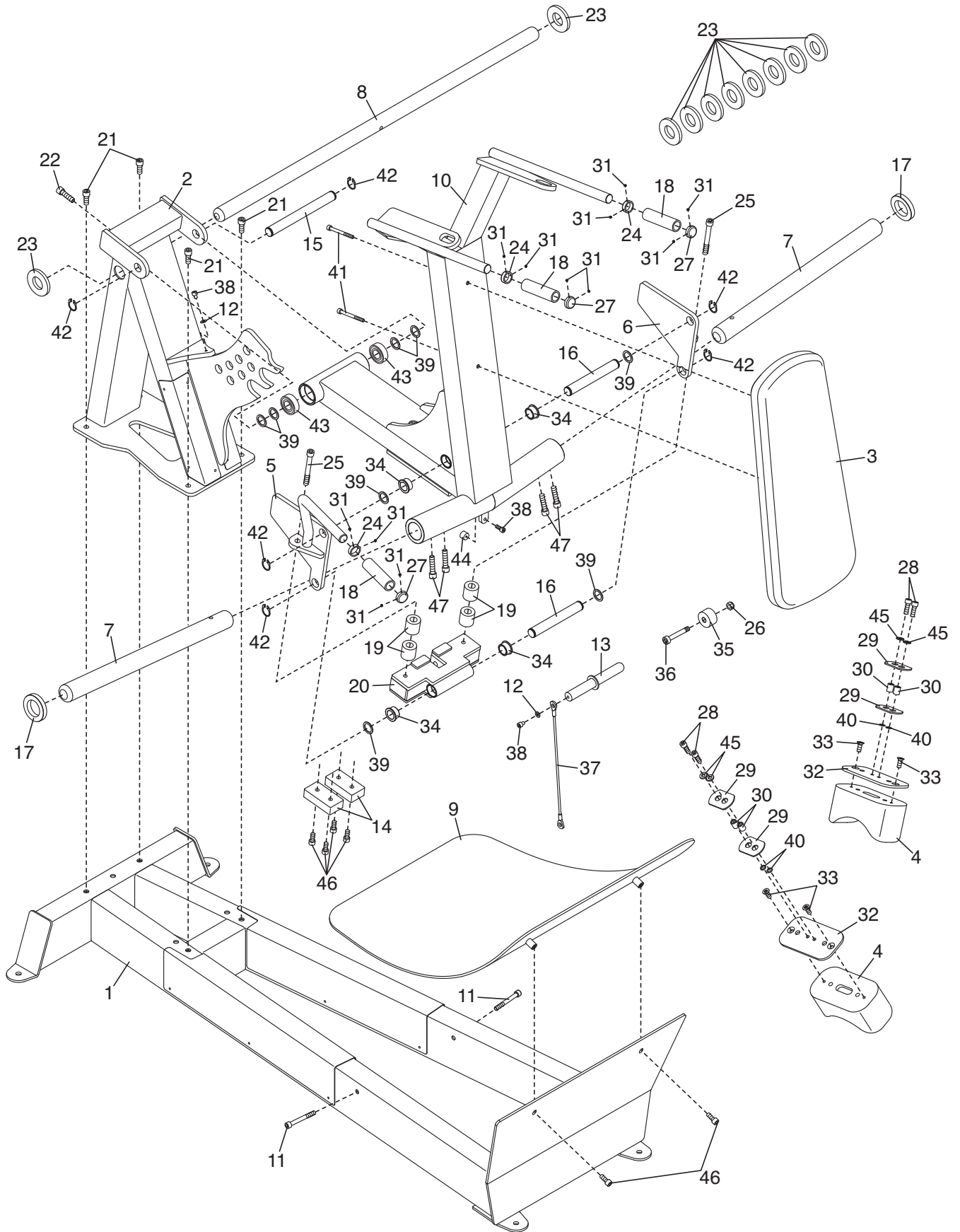


EXPLODED DRAWING—Model No. F217.0

R0810A



EF217-01 v0 Part List

EF217-01 v0 - FREEMOTION PL SQUAT PLTSP SYSTEM

Key #	Part #	Description	Qty	Date Changed
	.	FM PLATE-LOADED SQUAT	0	
	.	05/19 CHINA,RELAX FITNESS	0	
	.	COMPANY 14 REV R0519A	0	2019-06-04
	.	.	0	
1	NSP	BASE	1	
2	NSP	UPRIGHT	1	
3	.	BACKREST,SEE VINYL MODEL#	1	
4	.	SHLDR PAD,SEE VINYL MODEL	2	
5	295303	RELEASE HANDLE	1	
6	295307	RELEASE PLATE	1	
7	304653	WEIGHT BAR	2	
8	295323	STORAGE BAR	1	
9	295319	DECK	1	
10	NSP	PIVOT FRAME	1	
11	291406	M10 X 85MM SCREW	2	
12	295393	M8 WASHER	2	
13	295324	STOP PIN	1	
14	293963	PIVOT FRAME BUMPER	2	
15	304652	LONG PIVOT AXLE	1	
16	304651	SHORT PIVOT AXLE	2	
17	293976	LARGE WEIGHT BUMPER	2	
18	289326	HANDGRIP	3	
19	295343	STOP BRACKET BUMPER	4	
20	295402	STOP BRACKET	1	
21	290022	M12 X 30MM SCREW	4	
22	295369	M12 X 45MM SCREW	1	
23	289458	SMALL WEIGHT BUMPER	10	
24	.	WHICH PART IS NEEDED?	0	
24A	289323	HANDGRIP COLLAR	2	
24B	295396	HANDGRIP COLLAR,YELLOW	1	
25	295368	M12 X 105MM SCREW	2	
26	290031	M12 LOCKNUT	1	
27	.	WHICH PART IS NEEDED?	0	
27A	408420	HANDGRIP CAP	2	
27B	416067	HANDGRIP CAP,YELLOW	1	
28	409482	M10 X 30MM SCREW	4	
29	295329	SMALL PAD PLATE	4	
30	295330	PAD SPACER	4	
31	289487	M4 X 3MM SET SCREW	6	
32	295326	LARGE PAD PLATE	2	
33	295367	M8 X 25MM FLAT HEAD SCREW	4	
34	295357	BUSHING	4	
35	295342	STOP CYLINDER	1	
36	295370	M12 X 65MM BOLT	1	
37	295394	TETHER	1	
38	301570	M8 X 15MM SCREW	3	
39	293964	NYLON SPACER	6	

40	295392	M10 SERRATED WASHER	4
41	293024	M8 X 95MM SCREW	2
42	293992	25MM SNAP RING	6
43	295359	BEARING	2
44	293973	SMALL BUMPER	1
45	416296	M10 WASHER	4
46	.	WHICH PART IS NEEDED?	0
46A	300681	M10 X 25MM SCREW,SILVER	2
46B	411777	M10 X 25MM SCREW,BLACK	4
47	290030	M12 X 35MM SCREW	4
48	404548	M6 X 16MM FLAT HEAD SCREW	3
.	.	NON-ILLUSTRATED PARTS	0
#	394824	TOUCH-UP PAINT,PLATINUM	1
#	370340	AEROSOL PAINT,PLATINUM	1
.	.	.	0
.	.	DECALS AND LITERATURE	0
.	.	**SEE EF217 PARTS LIST**	0
.	.	.	0
.	.	OPTIONAL ACCESSORIES	0
.	.	**SEE EF217 PARTS LIST**	0